

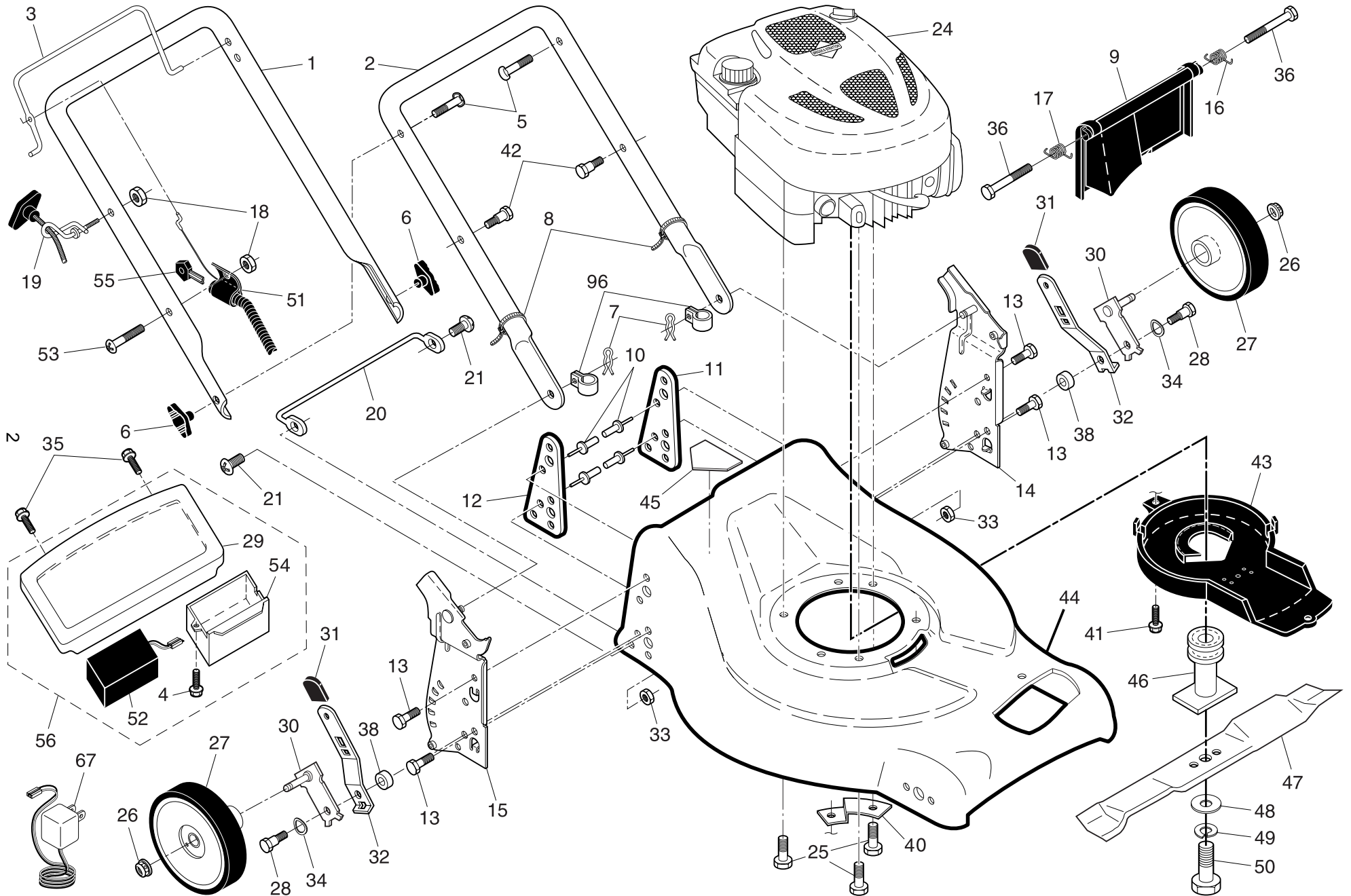
ILLUSTRATED PARTS LIST

MODEL NUMBER PP5051CMDE

PRODUCT NUMBER 961 41 00-80

MFG. ID. NUMBER 96141008001

ROTARY LAWN MOWER - - MODEL NUMBER PP5051CMDE (96141008001) PRODUCT NUMBER 961 41 00-80

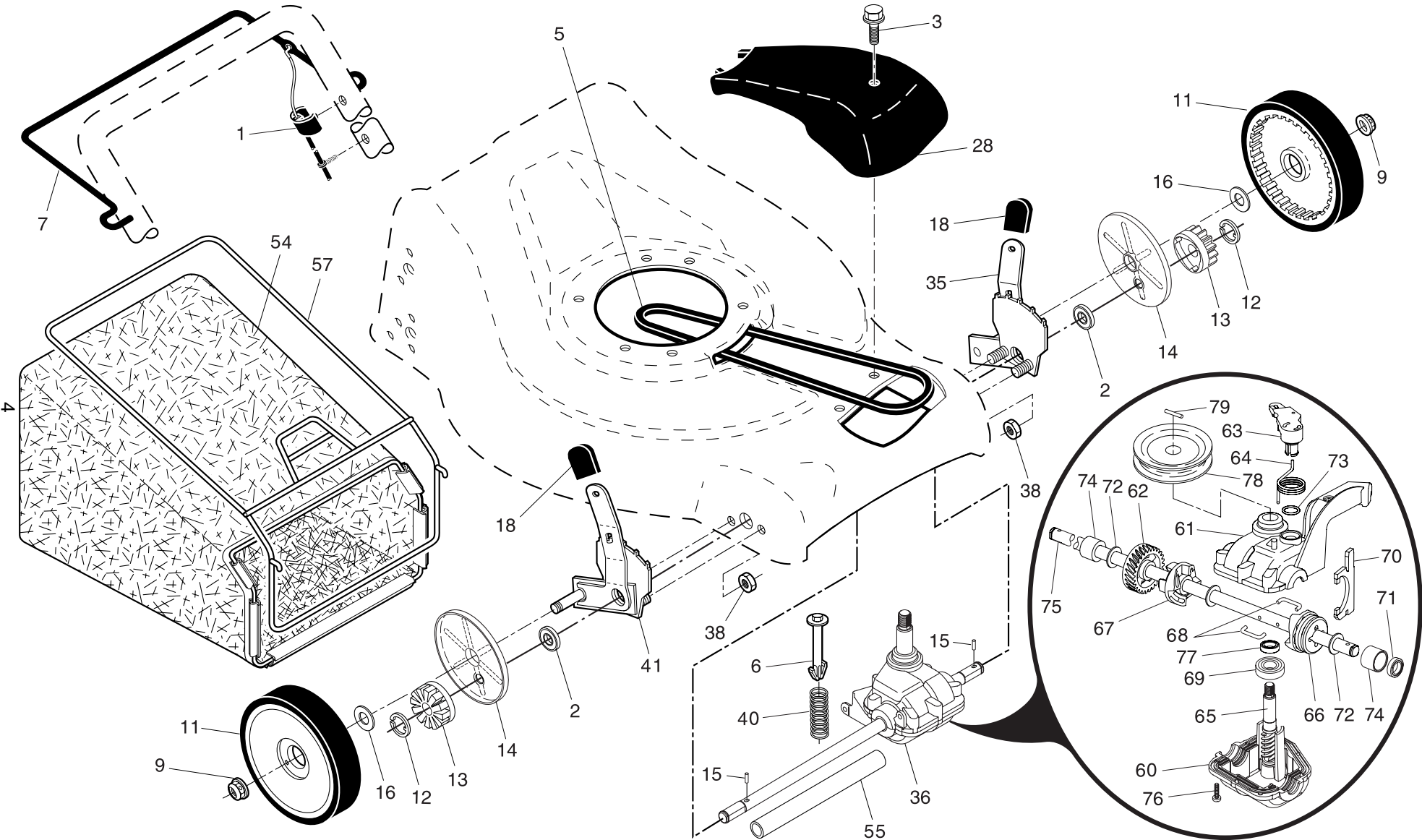


ROTARY LAWN MOWER - - MODEL NUMBER PP5051CMDE (96141008001) PRODUCT NUMBER 961 41 00-80

KEY NO.	PART NO.	DESCRIPTION	KEY NO.	PART NO.	DESCRIPTION
1	532 19 84-59	Upper Handle	32	532 41 08-88	Selector Spring
2	532 19 63-49	Lower Handle	33	532 19 85-41	Nut, Hex
3	532 19 84-64	Control Bar	34	532 40 16-30	Washer, Curved, Cylindrical
4	817 41 13-08	Screw, Hex Washer Head #13 x 1/2	36	532 18 41-93	Bolt, Hex Head
5	532 19 15-74	Handle Bolt	38	532 40 16-29	Washer
6	532 19 19-38	Handle Knob	40	532 19 09-39	Mounting Bracket, Debris Shield
7	532 05 17-93	Hairpin Cotter	41	532 19 23-25	Screw
8	532 06 64-26	Wire Tie	42	532 17 55-51	Screw
9	532 40 69-85	Rear Door Assembly	43	532 40 58-45	Debris Shield
10	532 12 84-15	Pop Rivet	44	532 40 98-62	Kit, Lawn Mower Housing (Includes Key Numbers 10, 11, 12 and 45)
11	532 41 05-40	Support Bracket, LH	45	532 18 21-66	Danger Decal
12	532 41 05-42	Support Bracket, RH	46	532 40 46-33	Blade Adapter / Pulley
13	817 06 04-10	Screw 1/4-20 x 5/8	47	532 19 93-77	Blade, 21"
14	532 19 01-54	Handle Bracket Assembly, LH	48	532 85 10-74	Hardened Washer
15	532 19 01-53	Handle Bracket Assembly, RH	49	532 85 02-63	Helical Washer 3/8-24 x 1-3/8 Grade 8
16	532 40 54-17	Spring, Rear Door, LH	50	532 85 10-84	Hex Head Machine Screw 3/8-24 x 1-3/8 Grade 8
17	532 40 54-18	Spring, Rear Door, RH	51	532 18 96-86	Key Switch Assembly (Includes Key)
18	532 13 20-04	Keps Locknut 1/4-20	52	532 18 95-89	Battery
19	532 19 47-88	Rope Guide	53	532 18 61-59	Screw
20	532 41 35-43	Foot Guard, C.E.	54	532 18 62-37	Box, Battery
21	817 49 04-16	Screw, Tapping 1/4-20 x 1/2	55	532 18 03-31	Key
24	- - -	Engine, Briggs & Stratton, Model Number 12F805 (order parts from engine manufacturer)	56	532 19 12-52	Trimplate / Battery / Battery Box Assembly
25	532 15 04-06	Hex Head Thread Rolling Screw 3/8-16 x 1-1/8	57	532 12 51-62	Bracket, Upstop
26	532 40 91-48	Hex Flange Nut	58	532 75 06-34	Screw, Threaded 10-24 x 1/2
27	532 41 42-36	Wheel & Tire Assembly	67	532 19 24-36	Charger, Battery
28	532 40 16-38	Shoulder Bolt 5/16-18 x .33	96	532 19 79-91	Clip, Cable
29	532 41 11-90	Trimplate	--	532 18 21-34	Decal, Warning (not shown)
30	532 41 21-74	Axle Arm Assembly, Rear	--	532 41 01-25	Operator's Manual, Scandinavian
31	532 08 78-77	Selector Knob	--	532 41 01-23	Operator's Manual, Baltic

NOTE: All component dimensions given in U.S. inches. 1 inch = 25.4 mm. **IMPORTANT:** Use only Original Equipment Manufacturer (O.E.M.) replacement parts. Failure to do so could be hazardous, damage your lawn mower and void your warranty.

ROTARY LAWN MOWER - - MODEL NUMBER PP5051CMDE (96141008001) PRODUCT NUMBER 961 41 00-80



ROTARY LAWN MOWER - - MODEL NUMBER PP5051CMDE (96141008001) PRODUCT NUMBER 961 41 00-80

KEY NO.	PART NO.	DESCRIPTION
1	532 19 46-53	Control Cable Assembly
2	532 19 10-39	Bearing, Wheel Adjuster
3	532 17 52-62	Pan Head Tapping Screw #10-24 x 2-3/4
5	532 17 54-36	V-Belt
6	532 15 04-95	Spring Retainer
7	532 19 84-53	Control Bar, Drive
9	532 40 91-48	Locknut, Hex
11	532 19 80-88	Wheel & Tire Assembly
12	812 00 00-58	E-Ring
13	532 40 38-49	Pinion
14	532 18 94-03	Dust Cover
15	532 40 48-45	Pawl, Drive
16	532 06 77-25	Washer 1/2 x 1-1/2 x .134
18	532 08 78-77	Selector Knob
28	532 18 14-68	Drive Cover
35	532 40 88-62	Kit, Wheel Adjuster, LH (Includes Knob and Bearing)
36	532 19 92-05	Gearcase Assembly, Complete
38	873 80 04-00	Locknut, Hex 1/4-20
40	532 13 70-90	Spring
41	532 40 88-61	Kit, Wheel Adjuster, RH (Includes Knob and Bearing)
54	532 40 05-59	Grassbag Assembly

KEY NO.	PART NO.	DESCRIPTION
57	532 40 18-02	Frame, Grassbag
60	532 18 34-97	* Case, Lower
61	532 18 34-98	* Case, Upper
62	532 18 34-99	Gear, 27 Teeth
63	532 18 35-00	Lever, Clutch
64	532 18 35-01	Spring, Return
65	532 18 35-02	Shaft, Input
66	532 18 35-03	Dog, Movable
67	532 18 35-04	Dog, Fixed
68	532 18 35-05	Wire, Formed
69	532 18 35-06	Bearing, Ball
70	532 18 35-07	Fork, Shift
71	532 18 35-08	Seal, Output Shaft
72	532 18 35-09	Washer
73	532 18 35-10	Seal, Case
74	532 18 35-11	Bushing
75	532 19 66-13	Shaft, Output
76	532 18 35-13	Screw
77	532 18 35-14	Seal, Input Shaft
78	532 19 98-52	Drive Pulley
79	532 19 94-19	Retaining Pin

* Use Dow Corning #709 to reseal Gear Case Halves.

NOTE: All component dimensions given in U.S. inches. 1 inch = 25.4 mm. **IMPORTANT:** Use only Original Equipment Manufacturer (O.E.M.) replacement parts. Failure to do so could be hazardous, damage your lawn mower and void your warranty.